

Offshore Drilling & Pipeline Equipment

www.ivp-solutions.com



API 6A Plug Valves

+44 (0)167 020 2777

www.ivp-solutions.com

12

Plug Valves are designed and manufactured in accordance with the following specifications:

API 6A	Specification for Wellhead and Christmas Tree Equipment.
ANSI B31.3	Chemical Plant and Petroleum Refinery Piping.
ASME VIII	Boiler and Pressure Vessel Code.
NACE MR-01-75	Sulphide Stress Cracking Resistant Metallic Materials for Oilfield Equipment.

Plug Valves are available in either manual, gearbox or remote operation for use in the following pressure ratings and services:

TABLE 12.0A

Pressure & Temperature Ratings			
Working Pressure	5,000 PSI	10,000 PSI	15,000 PSI
Test Pressure	7,500PSI	15,000PSI	22,500 PSI
Product Specification Levels	1,2,3 & 4	1,2,3 & 4	1,2,3 & 4
API Temperature Rating	P (-29°C) to U (+121°C)	P (-29°C) to U (+121°C)	P (-29°C) to U (+121°C)

TABLE 12.0B

Material Requirements		
Material Class	Body, Bonnet, End and Outlet Connections	Pressure Controlling Parts E.G. Stems
AA - General Service	Carbon or Low Alloy Steel	Carbon or Low Alloy Steel
BB - General Service	Carbon or Low Alloy Steel	Stainless Steel
CC - General Service	Stainless Steel	Stainless Steel
DD - Sour Service**	Carbon or Low Alloy Steel*	Carbon or Low Alloy Steel*
EE - Sour Service**	Carbon or Low Alloy Steel*	Stainless Steel*
FF - Sour Service**	Stainless Steel*	Stainless Steel*

**As defined in NACE MR-01-75 *In accordance with NACE MR-01-75

Please contact IVP Solutions for any special material or dimensional requirements.



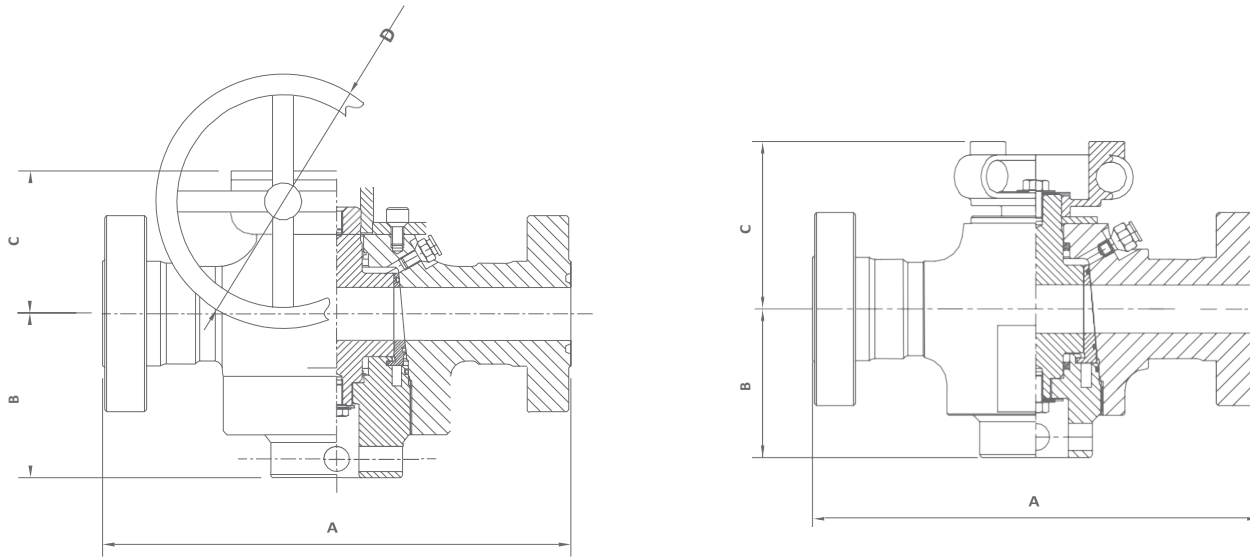


TABLE 12.1

Flanged Plug Valves							
Nominal Size	Pressure Rating psi	API Ring Gasket	A	B	C	D	Total Weight (kg)
			Face to Face Manufacturers Standard	Centreline to Base	Centreline to top of Valve	Hand Wheel Diameter	
2 1/16	5k	R24	13.50	5.50	5.94	N/A	59
	10k	BX 152	13.50	5.50	5.94	N/A	60
	15k	BX 152	14.00	5.50	5.94	N/A	60
3/8	5k	R35	18.62	6.78	6.44	N/A	117
3 1/16	10k	BX 154	24.38	6.97	6.80	16.00	140
	15k	BX 154	23.56	6.97	6.80	16.00	170
4 1/16	5k	R39	26.38	6.97	6.80	16.00	175
	10k	BX 155	26.38	10.00	10.50	20.00	390

NOTE: All dimensions in (inches).



T: +44 (0)167 020 2777 / E: sales@ivp-solutions.com / W: www.ivp-solutions.com

This data represents the standard material stocked and supplied in the IVP-Solutions product range. Other material specifications available upon request.

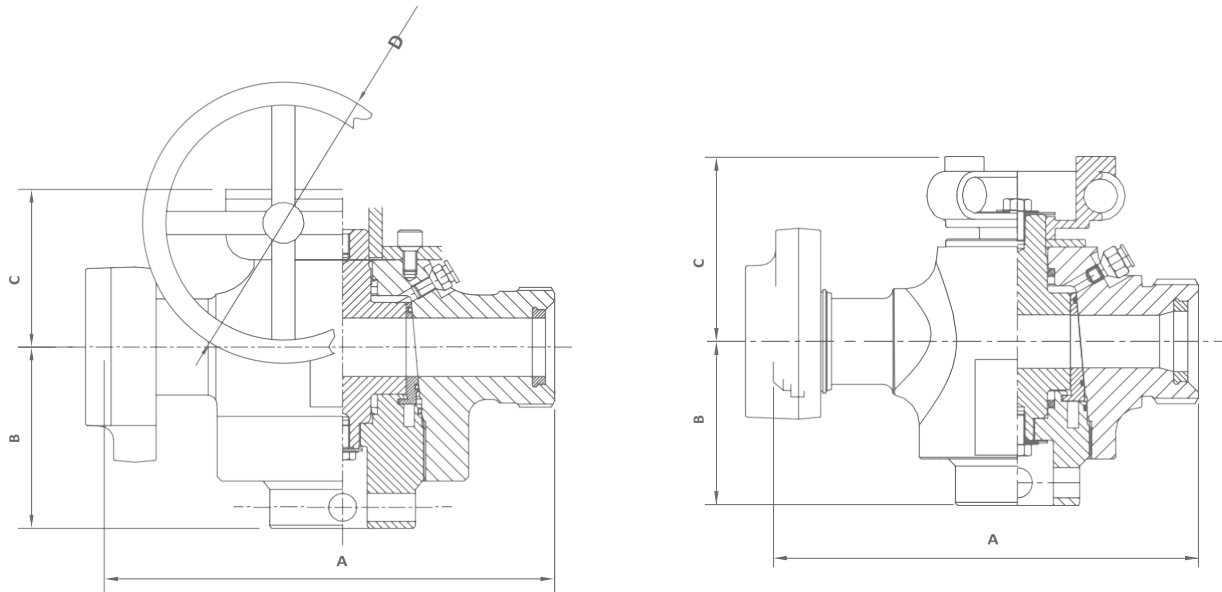


TABLE 12.2

Union Plug Valves							
Nominal Size	Pressure Rating psi	Union Size (Male x Female)	A	B	C	D	Total Weight (kg)
			Face to Face	Centreline to Base	Centreline to top of Valve	Hand Wheel Diameter	
1"	10k	1" Fig 1502	9.50	4.56	5.19	N/A	19
1"	10k	2" Fig 1502	10.56	4.56	5.19	N/A	25
2"	10k	2" Fig 1502	13.88	5.50	5.94	N/A	40
3"	10k	3" Fig 1502	17.52	6.78	6.62	12.00	99
1"	15k	1" Fig 1502	9.50	4.56	5.19	N/A	19
1"	15k	2" Fig 1502	10.56	4.56	5.19	N/A	25
2"	15k	2" Fig 1502	13.88	5.50	5.94	N/A	45
3"	15k	3" Fig 1502	17.52	6.78	6.62	12.00	99
2"	15k	2" Fig 2202	15.25	5.50	5.94	N/A	50
3"	15k	3" Fig 2202	18.88	6.78	6.62	N/A	110
4"	15k	4" Fig 2202	23.56	6.97	6.80	N/A	135

NOTE: All dimensions in (inches).



T: +44 (0)167 020 2777 / E: sales@ivp-solutions.com / W: www.ivp-solutions.com

This data represents the standard material stocked and supplied in the IVP-Solutions product range. Other material specifications available upon request.



T: +44 (0)167 020 2777 / E: sales@ivp-solutions.com / W: www.ivp-solutions.com

IVP Solutions, 2 GAS Workspace, Baker Road, Nelson Park West,
Cramlington, NE23 1WL