

Offshore Drilling & Pipeline Equipment

www.ivp-solutions.com



Check Valves

+44 (0)167 020 2777

www.ivp-solutions.com

18

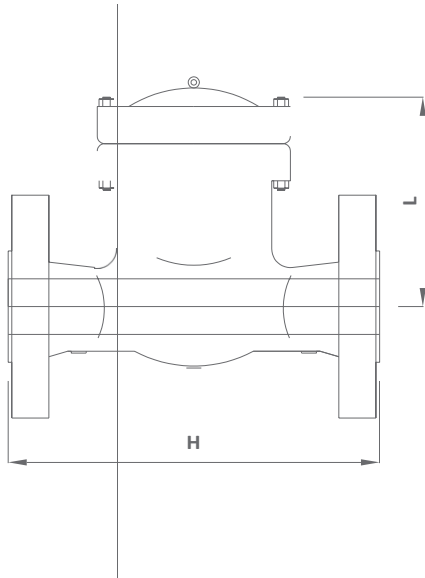


TABLE 18.1

Check Valves ANSI 150lb				
Size	End-to-End		H	Weight
	RF-L	RTJ-L		
2	8.0	8.50	6.1	19
3	9.5	10.00	7.1	29
4	11.5	12.00	8.66	46
6	14.0	14.50	10.55	77
8	19.5	20.00	12.2	163
10	24.5	25.00	13.7	220
12	27.5	28.00	14.9	356
14	31.0	31.50	15.8	428
16	34.0	34.50	18.1	555
18	38.5	39.00	19.85	775
20	38.5	39.00	22.2	835
24	51.0	51.50	26.75	1,180
30	60.0	60.50	36.0	1,725
36	77.0	77.50	41.5	2,800

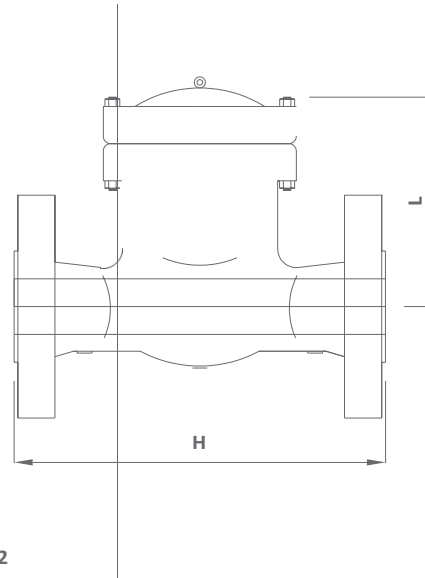


TABLE 18.2

Check Valves ANSI 300lb				
Size	End-to-End		H	Weight
	RF-L	RTJ-L		
2	10.5	11.13	6.3	21
3	12.5	13.13	7.83	39
4	14.0	14.63	8.95	69
6	17.5	18.13	10.95	125
8	21.0	21.63	12.7	210
10	24.5	25.13	15.05	307
12	28.0	28.63	17.1	450
14	33.0	33.63	20.1	680
16	34.0	34.63	20.5	840
18	38.5	39.13	22.5	1,025
20	40.0	40.75	24.75	1,320
24	53.0	53.88	28.0	1,960
30	62.75	63.75	37.0	2,515
36	82.0	83.00	43.0	4,515

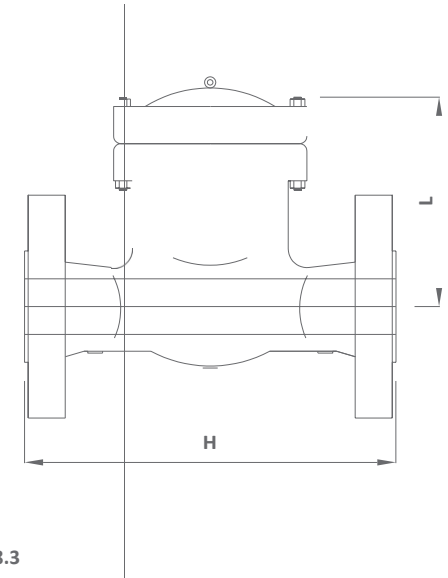


TABLE 18.3

Check Valves ANSI 600lb				
Size	End-to-End		H	Weight
	RF-L	RTJ-L		
2	11.5	11.63	7.2	36
3	14.0	14.13	8.95	70
4	17.0	17.13	10.25	122
6	22.0	22.13	12.8	270
8	26.0	26.13	15.5	465
10	31.0	31.13	19.3	675
12	33.0	33.13	20.8	880
14	35.0	35.13	22.6	950
16	39.0	39.13	26.0	1,230
18	43.0	43.13	28.4	1,635
20	47.0	47.25	29.4	2,140
24	55.0	55.38	38	3,200

NOTE: All dimensions in (inches). Weight is in (Kg).



T: +44 (0)167 020 2777 / E: sales@ivp-solutions.com / W: www.ivp-solutions.com

This data represents the standard material stocked and supplied in the IVP-Solutions product range. Other material specifications available upon request.

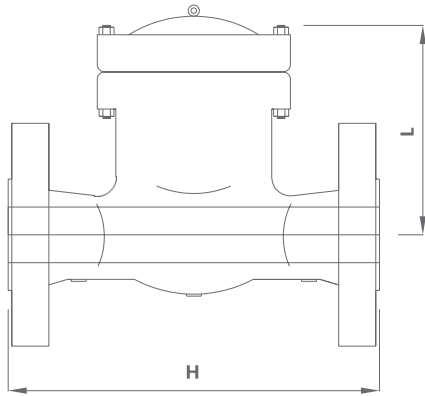


TABLE 18.4

Check Valves ANSI 900lb				
Size	End-to-End		H	Weight
	RF-L	RTJ-L		
2	14.5	14.63	10.5	70
3	15.0	15.13	11.5	100
4	18.0	18.13	12.1	150
6	24.0	24.13	13.3	305
8	29.0	29.13	18.2	510
10	33.0	33.13	19.75	810
12	38.0	38.13	22.9	1,120
14	40.5	40.87	25.6	1,733
16	44.5	44.87	28	2,395
18	48.0	48.50	31	3,220
20	52.0	52.50	33.5	3,960
24	61.0	61.75	36.8	5,750

NOTE: All dimensions in (inches). Weight is in (Kg).

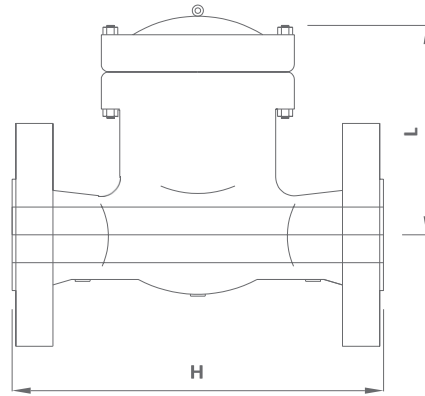


TABLE 18.5

Check Valves ANSI 1500lb				
Size	End-to-End		H	Weight
	RF-L	RTJ-L		
2	14.5	14.63	10.5	85
3	18.5	18.63	11.6	150
4	21.5	21.63	14	245
6	27.75	28.00	18.35	550
8	32.75	33.13	21.3	1,010
10	39.0	39.37	22.8	1,550
12	44.5	45.12	26.5	2,280
14	49.5	50.25	28.7	3,210
16	54.5	55.37	32	4,365
18	60.5	61.37	35.65	5,877
20	65.5	66.37	39.8	7,260
24	76.5	77.63	44.5	10,470

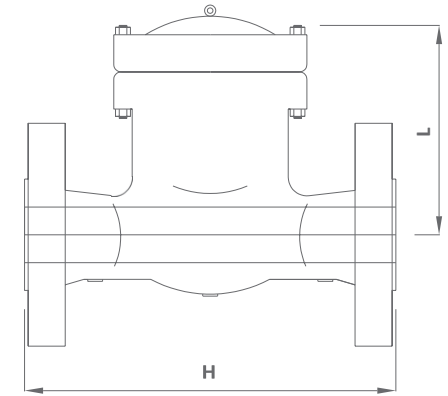


TABLE 18.6

Check Valves ANSI 2500lb				
Size	End-to-End		H	Weight
	RF-L	RTJ-L		
2	17.75	17.87	16.4	145
3	22.75	23.00	17.4	330
4	26.5	26.88	19.0	650
6	36.00	36.50	20.3	1,400
8	40.25	40.87	28.1	2,420
10	50.00	50.88	33.6	3,750
12	56.00	56.88	39.5	5,500





T: +44 (0)167 020 2777 / E: sales@ivp-solutions.com / W: www.ivp-solutions.com

IVP Solutions, 2 GAS Workspace, Baker Road, Nelson Park West,
Cramlington, NE23 1WL