

Offshore Drilling & Pipeline Equipment

www.ivp-solutions.com



Through Conduit Gate Valves

+44 (0)167 020 2777

www.ivp-solutions.com

6

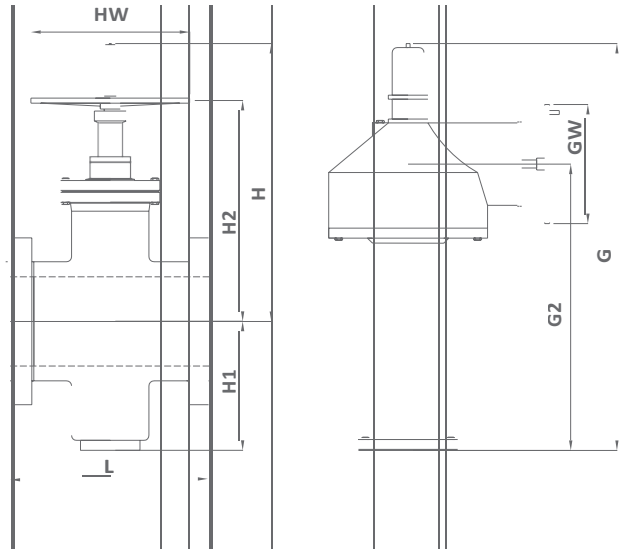


TABLE 16.1

ANSI 150lb										
Size	End to End		Centre to Bottom	Handwheel Operated			Gear Operated			Weight
	RF-L	RTJ-L2	H1	H	H2	HW	G	G2	GW	
2	7	7.5	4.8	17.72	12.4	9.84	-	-	-	34
3	8	8.5	6.65	24.02	16.85	11.81	-	-	-	56
4	9	9.5	7.6	27.56	19.45	11.81	30.31	25.59	12.2	84
6	10.5	11	11.14	35.24	24.61	13.78	37.99	31.5	12.2	142
8	11.5	12	13.86	44.49	30.87	13.78	47.24	37.8	12.2	236
10	13	13.5	17.32	50.79	36.87	15.75	53.54	42.52	12.2	353
12	14	14.5	20.27	58.27	42.52	17.72	61.42	47.24	12.2	451
14	15	15.5	23.7	64.59	50.51	19.69	68.5	53.15	18.11	601
16	16	16.5	26.69	-	-	-	75.98	59.06	18.11	738
18	17	17.5	30.91	-	-	-	85.04	66.14	18.11	892
20	18	18.5	33.66	-	-	-	95.28	72.83	18.11	1,122
24	20	20.5	41.14	-	-	-	110.24	83.46	18.11	2,014
30	24	-	53.15	-	-	-	143.31	110.24	18.11	2,926
36	28	-	59.45	-	-	-	159.45	121.26	23.62	5,381

NOTE: All dimensions in (mm). Weight is in (Kg).

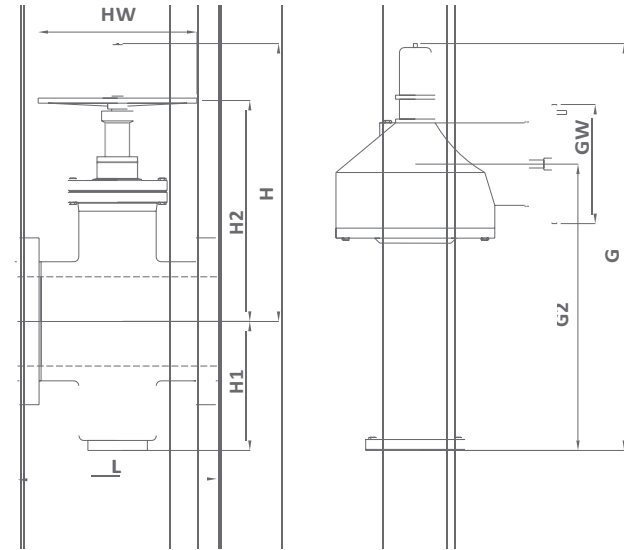


TABLE 16.2

ANSI 300lb										
Size	End to End		Centre to Bottom	Handwheel Operated			Gear Operated			Weight
	RF-L	RTJ-L2	H1	H	H2	HW	G	G2	GW	
2	8.5	9.12	5.93	18.03	12.8	9.84	-	-	-	54
3	11.12	11.74	7.24	24.21	16.93	11.81	-	-	-	85
4	12	12.62	8.58	27.95	19.69	11.81	30.31	25.59	12.2	112
6	15.88	16.5	12.24	34.43	24.61	13.78	37.99	31.5	12.2	240
8	16.5	17.12	15.04	44.68	31.1	13.78	47.24	37.8	12.2	366
10	18	18.62	18.74	55.16	40.94	15.75	53.54	42.91	12.2	501
12	19.75	20.37	21.46	62.2	45.28	15.75	61.42	47.24	12.2	759
14	30	30.62	25.39	-	-	-	68.5	53.15	18.11	1,052
16	33	33.62	28.66	-	-	-	75.98	59.06	18.11	1,483
18	36	36.62	31.5	-	-	-	85.04	66.14	18.11	2,044
20	39	39.75	36.61	-	-	-	95.28	72.83	18.11	2,701
24	45	45.88	43.31	-	-	-	110.24	83.46	18.11	4,269
30	55	56	55.91	-	-	-	143.31	110.24	18.11	6,313
36	68	69.12	59.45	-	-	-	159.45	121.26	23.62	8,919



T: +44 (0)167 020 2777 / E: sales@ivp-solutions.com / W: www.ivp-solutions.com

This data represents the standard material stocked and supplied in the IVP-Solutions product range. Other material specifications available upon request.

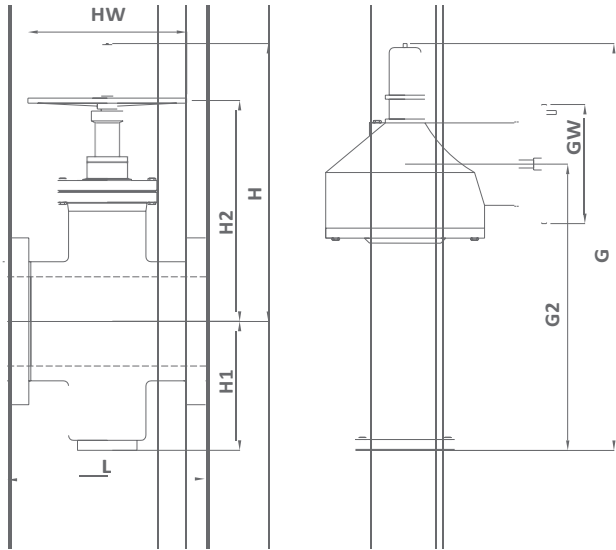


TABLE 16.3

ANSI 600lb										
Size	End to End		Centre to Bottom	Handwheel Operated			Gear Operated			Weight
	RF-L	RTJ-L2	H1	H	H2	HW	G	G2	GW	
2	11.3	11.62	6.22	18.43	13.19	11.81	19.88	16.93	12.2	66
3	14	14.12	8.86	24.61	17.32	13.78	24.02	20.09	12.2	110
4	17	17.12	10.14	28.35	20.08	13.78	30.31	25.59	12.2	156
6	22	22.12	12.99	35.83	24.8	15.75	37.99	31.5	12.2	289
8	26	26.12	16.14	45.08	31.5	19.69	47.24	37.8	12.2	641
10	31	31.12	19.29	55.55	41.34	19.69	53.54	42.91	12.2	902
12	33	33.12	22.44	62.6	45.67	23.62	61.42	47.24	12.2	1,137
14	35	35.12	25.59	-	-	-	68.5	53.15	18.11	1,704
16	39	39.12	28.94	-	-	-	77.56	60.63	18.11	2,355
18	43	43.12	31.89	-	-	-	88.98	66.93	18.11	2,782
20	47	47.25	35.63	-	-	-	95.28	72.83	18.11	4,219
24	55	55.38	45.67	-	-	-	101.97	79.53	18.11	6,023
30	65	65.5	51	-	-	-	150	104	24	7,927
36	82	85.62	60	-	-	-	173	121	24	15,232

NOTE: All dimensions in (mm). Weight is in (Kg).

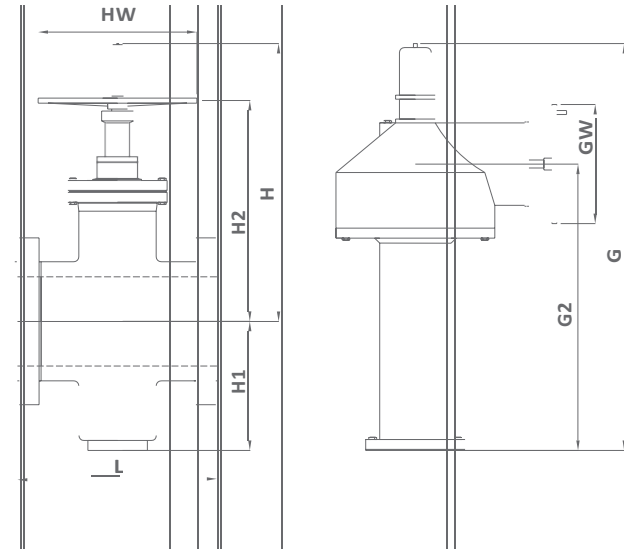


TABLE 16.4

ANSI 900lb										
Size	End to End		Centre to Bottom	Handwheel Operated			Gear Operated			Weight
	RF-L	RTJ-L2	H1	H	H2	HW	G	G2	GW	
2	14.5	14.62	6.22	18.62	13.19	11.81	20.67	17.72	12.2	103
3	15	15.12	8.86	24.8	17.52	13.78	25	20.87	12.2	162
4	18	18.12	10.04	28.54	20.28	13.78	31.5	26.77	12.2	287
6	24	24.12	11.42	36.02	25.2	15.75	39.17	33.95	12.2	806
8	29	29.12	18.11	45.28	31.5	19.69	49.21	39.37	18.11	972
10	33	33.12	22.05	55.75	41.54	19.69	55.91	44.88	18.11	1,308
12	38	38.12	25.98	62.8	45.87	23.62	62.99	48.43	18.11	2,004
14	40.5	40.88	30.31	-	-	-	70.87	55.12	18.11	2,605
16	44.5	44.88	33.07	-	-	-	77.82	53.78	18.11	3,217
18	48	48.5	36.22	-	-	-	88.98	70.28	18.11	4,008
20	52	52.5	39.37	-	-	-	99.21	76.77	18.11	5,131
24	61	61.75	47.24	-	-	-	104.33	82.68	18.11	9,420



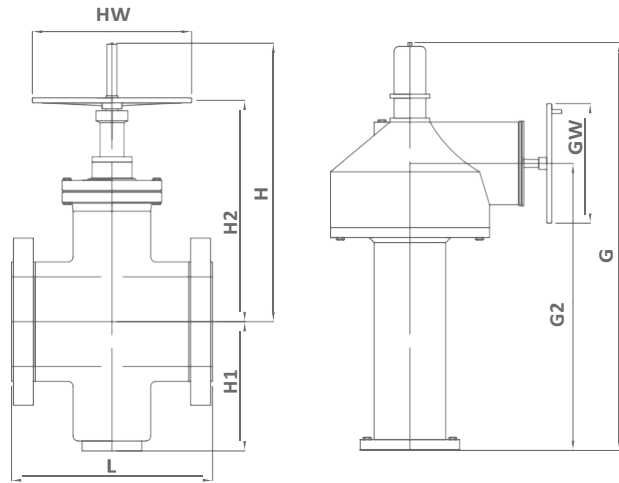


TABLE 16.5

ANSI 1500lb										
Size	End to End		Centre to Bottom	Handwheel Operated			Gear Operated			Weight
	RF-L	RTJ-L2		H1	H	H2	HW	G	G2	
2	14.5	14.62	6.5	18.9	13.58	13.78	21.26	14.17	12.2	120
3	18.5	18.62	9.06	25.59	18.5	15.75	25.59	21.46	18.11	260
4	21.5	21.62	10.59	29.13	20.67	17.72	31.89	27.95	18.11	381
6	27.75	28	13.39	38.58	25.59	19.69	42.13	33.07	18.11	912
8	32.75	33.13	16.54	-	-	-	53.15	41.34	18.11	1,523
10	39	39.38	20.08	-	-	-	58.26	46.46	18.11	2,285
12	44.5	45.12	23.23	-	-	-	66.14	51.18	18.11	3,307

NOTE: All dimensions in (mm). Weight is in (Kg).

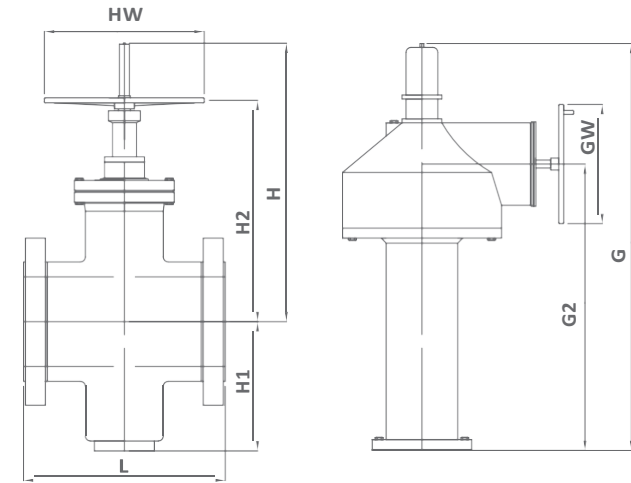


TABLE 16.6

ANSI 2500lb										
Size	End to End		Centre to Bottom	Handwheel Operated			Gear Operated			Weight
	RF-L	RTJ-L2		H1	H	H2	HW	G	G2	
2	17.75	17.87	6.5	18.9	13.58	13.78	21.26	14.17	12.2	176
3	22.75	23	9.06	25.59	18.5	15.75	25.59	21.46	18.11	366
4	26.5	26.88	10.59	29.13	20.67	17.72	31.89	27.95	18.11	581
6	36	36.5	13.39	38.58	25.59	19.69	42.13	33.07	18.11	1,443
8	40.25	40.87	16.54	-	-	-	53.15	41.34	18.11	2,355
10	50	50.88	20.08	-	-	-	58.26	46.46	18.11	4,109
12	56	56.88	23.23	-	-	-	66.14	51.18	18.11	5,903





T: +44 (0)167 020 2777 / E: sales@ivp-solutions.com / W: www.ivp-solutions.com

IVP Solutions, 2 GAS Workspace, Baker Road, Nelson Park West,
Cramlington, NE23 1WL