

Offshore Drilling & Pipeline Equipment

www.ivp-solutions.com



High Pressure Manifold Fittings

+44 (0)167 020 2777

www.ivp-solutions.com

3

Forged Long Sweep Manifold Fittings are designed and manufactured in general accordance with the following specifications:

MSS-SP-75	Specifications for High Test Wrought Butt Weld Fittings
ANSI B31.3	Chemical Plant and Petroleum Refinery Piping
ASME B16.9	Factory-Made Wrought Steel Butt welding Fittings
ASME VIII	Boiler and Pressure Vessel Code
API 6A	Specification for Wellhead and Christmas Tree Equipment
NACE MR-01-75	Sulphide Stress Cracking Resistant Metallic Materials for Oilfield Equipment

Long Sweep Manifold Fittings are available in both equal and reducing configurations. We can supply standard and special pipe wall schedules, for the following pressure ratings:

TABLE 3.0

Max. Working Pressure	5,000 PSI	7,500 PSI	10,000 PSI	15,000 PSI
Test Pressure	7,500 PSI	11,250 PSI	15,000 PSI	22,500 PSI
Operating Temperature Range	-60 to +345°C	-60 to +345°C	-60 to +345°C	-60 to +345°C
Min. Yield	52,000 PSI	>85,000 PS	>85,000 PSI	>85,000 PSI
Min. Tensile	66,000 PSI	105,000 PSI	105,000 PSI	105,000 PSI
Material	ASTM A860 WPHY 52	AISI Gr 4130	AISI Gr 4130	AISI Gr 4130

Please contact IVP Solutions for any special material or dimensional requirements.

Max. working pressures stated are suitable for temperatures up to 121°C.

De-rating of max. working pressure will occur as the operating temperature increases above 121°C. Consult IVP Solutions for further details.



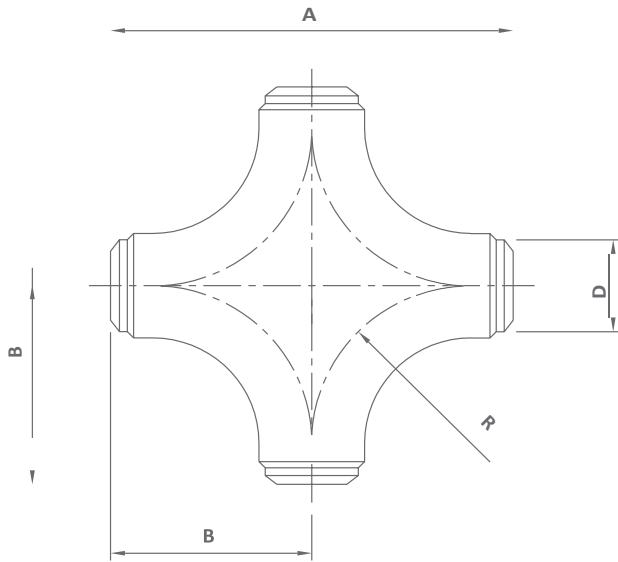


TABLE 3.1

Long Sweep Full Flow Cross					
Size	D	A	B	R	Weight
2"	60.3	406	203	150	32
3"	88.9	406	203	150	48
4"	114.3	560	280	210	94
5"	141.3	610	305	240	138
6"	168.3	762	381	305	208

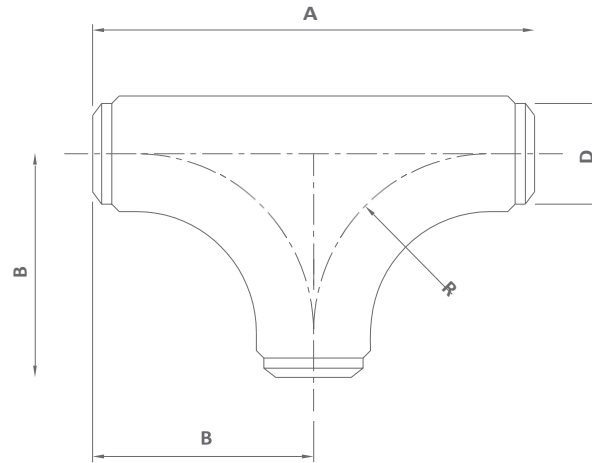


TABLE 3.2

Long Sweep Full Flow Tee					
Size	D	A	B	R	Weight
2"	60.3	406	203	150	33
3"	88.9	406	203	150	39
4"	114.3	560	280	210	64
5"	141.3	610	305	240	90
6"	168.3	762	381	305	143

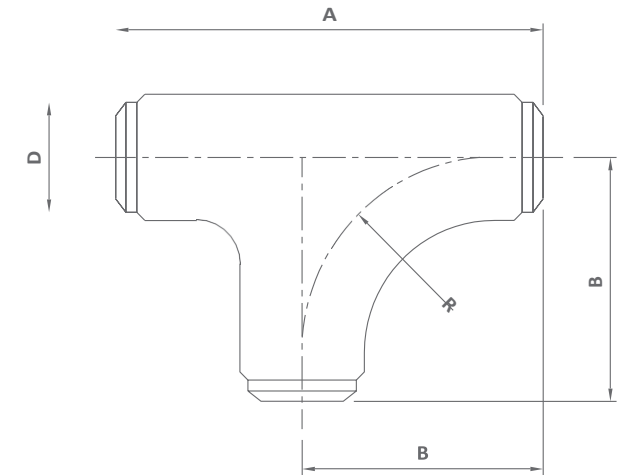


TABLE 3.3

Long Sweep Tee					
Size	D	A	B	R	Weight
2"	60.3	330	203	150	28
3"	88.9	330	203	150	34
4"	114.3	406	280	210	51
5"	141.3	483	305	240	76
6"	168.3	686	381	305	132

NOTE: All dimensions in (mm). Weight is in (Kg).



T: 04910690260 0150 | sales@ivpsolutions.com | www.ivpsolutions.com

This data represents the standard material stocked and supplied in the IVP-Solutions product range. Other material specifications available upon request.

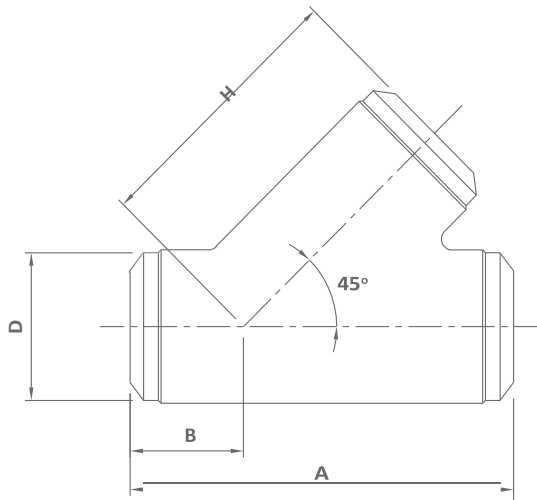


TABLE 3.4

45° Lateral Tee					
Size	D	A	B	H	Weight
2"	60.3	171	60	111	20
3"	88.9	267	102	165	30
4"	114.3	330	114	216	60
5"	141.3	400	121	279	85
6"	168.3	450	133	318	128

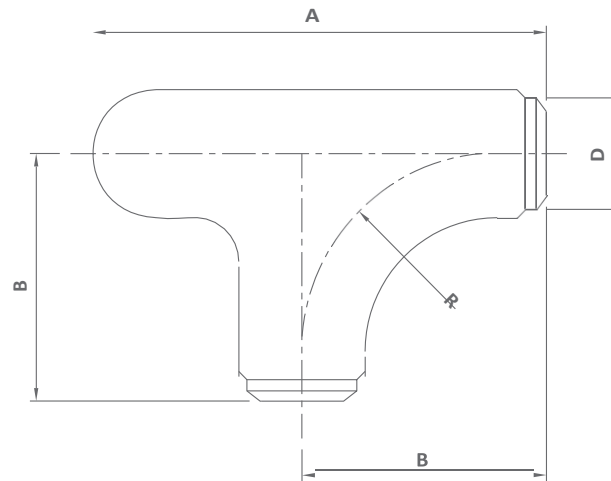


TABLE 3.5

Long Sweep Tee c/w Integral Bull Plug					
Size	D	A	B	R	Weight
2"	60.3	406	203	150	28
3"	88.9	406	203	150	34
4"	114.3	560	280	210	51
5"	141.3	610	305	240	76
6"	168.3	762	381	305	132

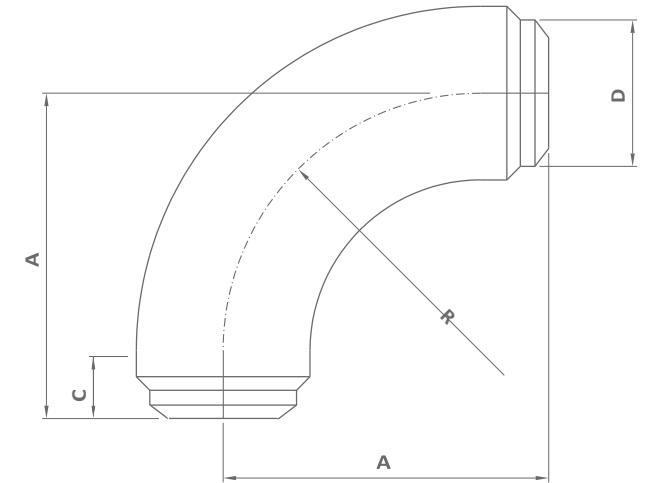


TABLE 3.6

90° Long Sweep Elbow					
Size	D	A	R	C	Weight
2"	60.3	203	152	51	14
3"	88.9	203	152	51	20
4"	114.3	280	210	70	39
5"	141.3	305	240	65	57
6"	168.3	381	305	76	105

NOTE: All dimensions in (mm). Weight is in (Kg).



T: +44 (0)167 020 2777 / E: sales@ivp-solutions.com / W: www.ivp-solutions.com

This data represents the standard material stocked and supplied in the IVP-Solutions product range. Other material specifications available upon request.

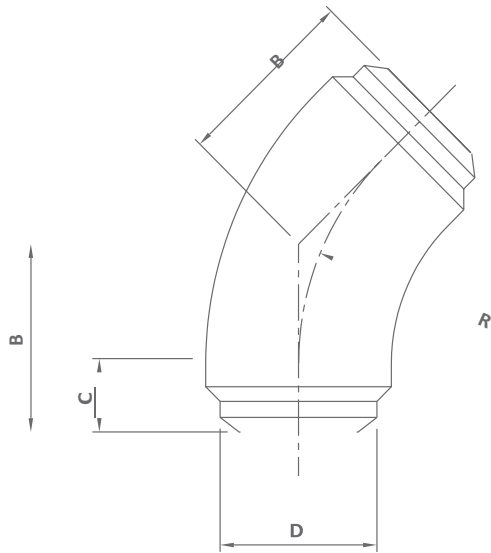


TABLE 3.7

45° Long Sweep Elbow					
Size	D	A	R	C	Weight
2"	60.3	118	152	56	9
3"	88.9	118	152	56	14
4"	114.3	162	210	75	26
5"	141.3	171	240	72	37
6"	168.3	203	305	76	57

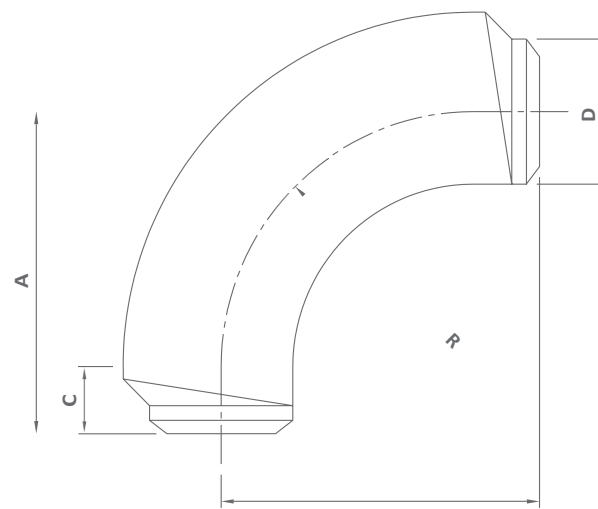


TABLE 3.8

90° 3D Double Backed Elbow					
Size	D	A	R	C	Weight
2"	60.3	178	152	26	8
3"	88.9	305	229	76	29
4"	114.3	356	305	51	52
5"	141.3	432	381	51	87
6"	168.3	533	457	76	129

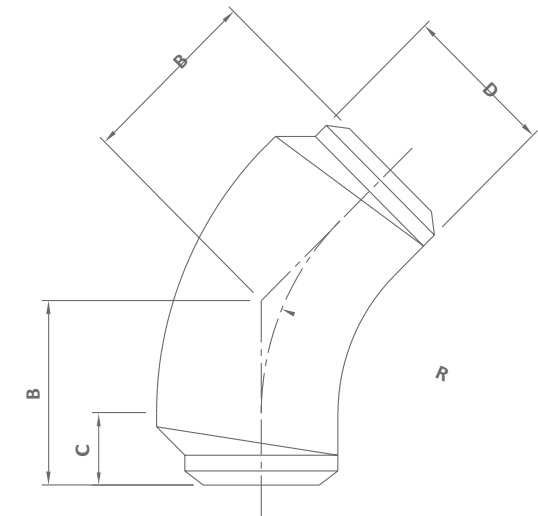


TABLE 3.9

45° 3D Double Backed Elbow					
Size	D	A	R	C	Weight
2"	60.3	121	152	58	7
3"	88.9	171	229	76	19
4"	114.3	178	305	51	31
5"	141.3	209	381	51	50
6"	168.3	265	457	76	75

NOTE: All dimensions in (mm). Weight is in (Kg).



T: +44 (0)167 020 2777 / E: sales@ivp-solutions.com / W: www.ivp-solutions.com

This data represents the standard material stocked and supplied in the IVP-Solutions product range. Other material specifications available upon request.

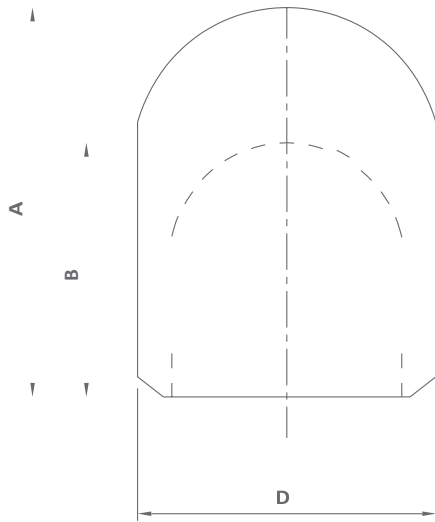


TABLE 3.10

Bull Plug				
Size	D	A	B	Weight
2"	60.3	70	48	1
3"	88.9	90	60	3
4"	114.3	115	81	6
5"	141.3	140	102	10
6"	168.3	170	126	18

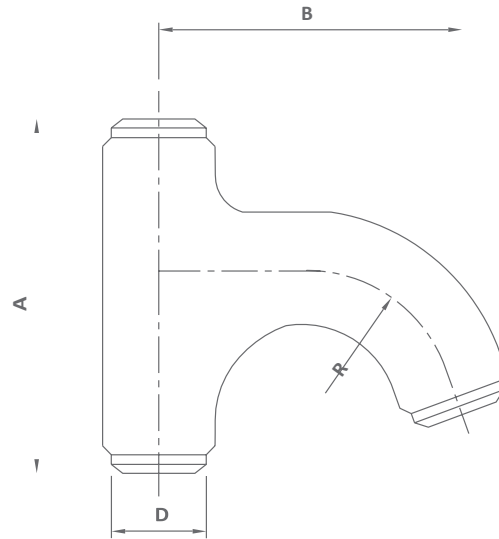


TABLE 3.11

160° Standpipe Gooseneck c/w Top Outlet					
Size	D	A	B	R	Weight
2"	60.3	330	309	152	47
3"	88.9	330	309	152	48
4"	114.3	406	431	210	91
5"	141.3	483	487	240	133
6"	168.3	686	600	305	238

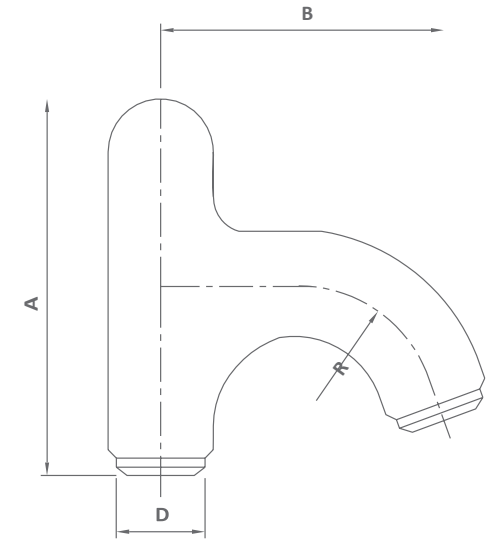


TABLE 3.12

160° Standpipe Gooseneck c/w Integral Bull Plug					
Size	D	A	B	R	Weight
2"	60.3	406	309	152	48
3"	88.9	406	309	152	51
4"	114.3	560	431	210	97
5"	141.3	610	487	240	142
6"	168.3	762	600	305	255

NOTE: All dimensions in (mm). Weight is in (Kg).



T: +44 (0)167 020 2777 / E: sales@ivp-solutions.com / W: www.ivp-solutions.com

This data represents the standard material stocked and supplied in the IVP-Solutions product range. Other material specifications available upon request.



T: +44 (0)167 020 2777 / E: sales@ivp-solutions.com / W: www.ivp-solutions.com

IVP Solutions, 2 GAS Workspace, Baker Road, Nelson Park West,
Cramlington, NE23 1WL