

Offshore Drilling & Pipeline Equipment

www.ivp-solutions.com



Globe Valves

+44 (0)167 020 2777

www.ivp-solutions.com

19

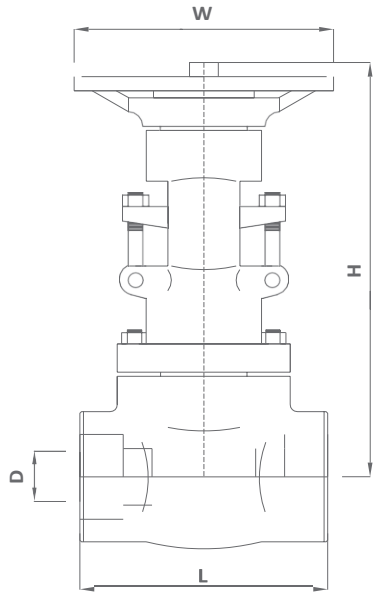


TABLE 19.1

Forged Steel Globe Valve Class 800					
Size	D	L	H (Open)	W	Weight
½"	9	79	164	100	2.28
¾"	13	92	164	100	2.37
1"	17.5	111	203	125	4.3
1½"	30	152	260	160	7.8
2"	35	172	300	180	12.5

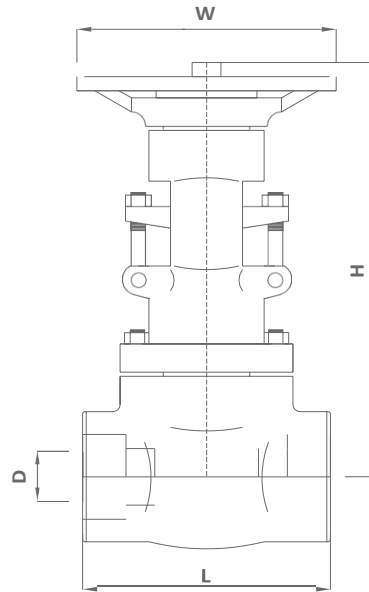


TABLE 19.2

Forged Steel Globe Valve Class 1500					
Size	D	L	H (Open)	W	Weight
½"	12	111	207	125	3.7
¾"	15	111	207	125	4.6
1"	20	120	240	160	6.5
1½"	32	172	330	280	11.6
2"	40	200	355	200	15

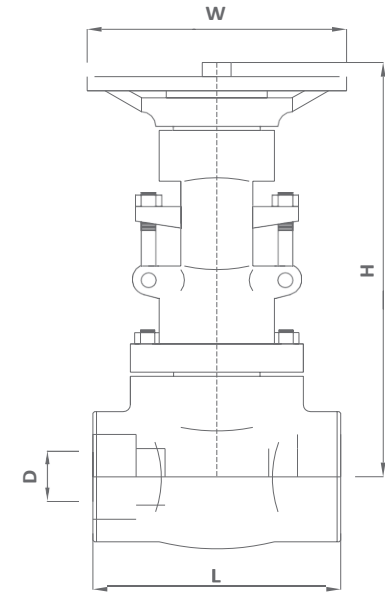


TABLE 19.3

Forged Steel Globe Valve Class 2500					
Size	D	L	H (Open)	W	Weight
½"	11	150	293	130	10
¾"	14	150	300	130	10.3
1"	19	210	390	250	22.4
1½"	28	235	435	300	38
2"	35	235	435	300	38

NOTE: All dimensions in (mm). Weight is in (Kg).



T: +44 (0)167 020 2777 / E: sales@ivp-solutions.com / W: www.ivp-solutions.com

This data represents the standard material stocked and supplied in the IVP-Solutions product range. Other material specifications available upon request.

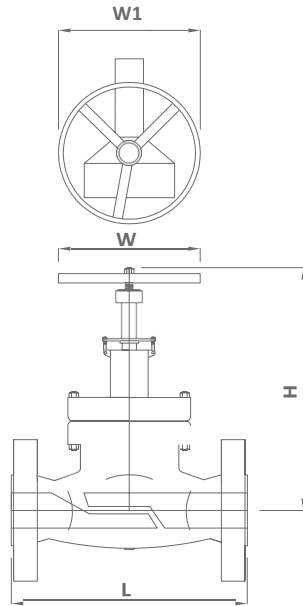


TABLE 19.4

Cast Globe Valves ANSI 150lb							
Size	End to End		H	W	W1	Weight	Weight
	RF-L	RTJ-L		(H/ Wheel)	(Gear)	(H/ Wheel)	(Gear)
2	8.00	8.50	12.90	8	-	22	-
2.5	8.50	9.00	14.70	10	-	32	-
3	9.50	10.00	15.94	10	-	38	-
4	11.50	12.00	19.09	12	-	62	-
6	16.00	16.50	20.47	14	-	104	-
8	19.50	20.00	23.62	16	16	154	174
10	24.50	25.00	31.00	18	16	308	330
12	27.50	28.00	33.94	20	18	539	575
14	31.00	31.50	53.00	22	20	819	855
16	36.00	36.50	61.00	24	24	1085	1,294
18	38.5	39.00	70.00	32	30	1294	1,394

NOTE: All dimensions in (inches). Weight is in (Kg).

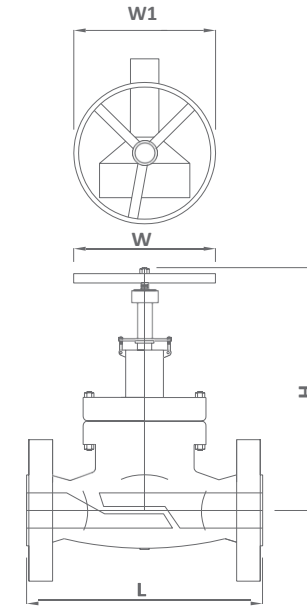


TABLE 19.5

Cast Globe Valves ANSI 300lb							
Size	End to End		H	W	W1	Weight	Weight
	RF-L	RTJ-L		(H/ Wheel)	(Gear)	(H/ Wheel)	(Gear)
2	10.5	11.13	13.78	8	-	28	-
2.5	11.5	12.13	15.39	10	-	48	-
3	12.5	13.13	16.54	12	-	56	-
4	14	14.63	19.37	14	-	82	-
6	17.5	18.13	24.41	18	-	154	-
8	22	22.63	31.22	22	16	240	178
10	24.5	25.13	45.08	25	20	319	270
12	28	28.63	49.61	28	22	632	352
14	33	33.63	55.28	32	24	946	672
16	34	34.63	62.99	32	30	1243	1,000
16	38.5	39.00	70.00	32	30	1294	1,350



T: +44 (0)167 020 2777 / E: sales@ivp-solutions.com / W: www.ivp-solutions.com

This data represents the standard material stocked and supplied in the IVP-Solutions product range. Other material specifications available upon request.

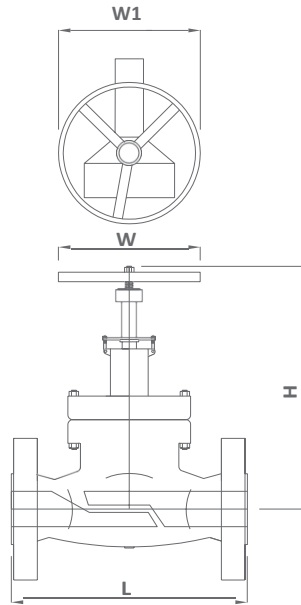


TABLE 19.6

Cast Globe Valves ANSI 600lb							
Size	End to End		H	W	W1	Weight	Weight
	RF-L	RTJ-L		(H/ Wheel)	(Gear)	(H/ Wheel)	(Gear)
2	11.5	11.62	15.40	10	-	32	-
2.5	13	13.12	17.00	11	-	42	-
3	14	14.12	18.80	12	-	63	-
4	17	17.12	20.80	16	16	107	135
6	22	22.12	26.60	22	20	240	275
8	26	26.12	28.40	26	22	357	425
10	31	31.12	38.30	28	22	680	750
12	33	33.12	42.30	30	24	900	1,000

NOTE: All dimensions in (inches). Weight is in (Kg).

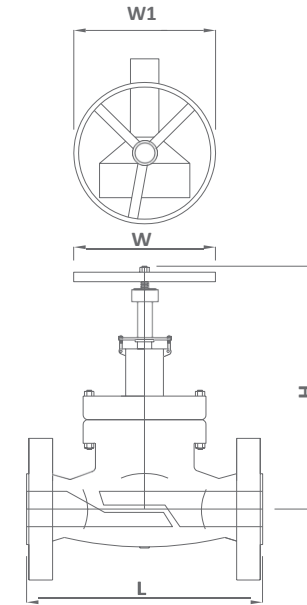


TABLE 19.7

Cast Globe Valves ANSI 900lb							
Size	End to End		H	W	W1	Weight	Weight
	RF-L	RTJ-L		(H/ Wheel)	(Gear)	(H/ Wheel)	(Gear)
2	14.5	14.62	19.60	12.40	-	55	-
2.5	6.5	16.62	20.00	12.40	-	68	-
3	15	15.12	20.60	14.00	12	95	128
4	18	18.12	23.70	16.00	15	138	175
6	24	24.12	28.80	22.00	20	390	460
8	29	29.12	38.20	26.00	22	774	850
10	33	33.12	52.40	38.30	24	1250	1,325
12	38	38.12	61.00	38.00	28	1535	1,625



T: +44 (0)167 020 2777 / E: sales@ivp-solutions.com / W: www.ivp-solutions.com

This data represents the standard material stocked and supplied in the IVP-Solutions product range. Other material specifications available upon request.

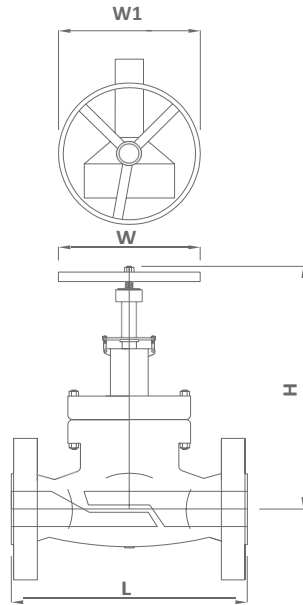


TABLE 19.8

Cast Globe Valves ANSI 1500lb							
Size	End to End		H	W	W1	Weight	Weight
	RF-L	RTJ-L		(H/ Wheel)	(Gear)	(H/ Wheel)	(Gear)
2	14.50	14.62	22.40	16	14	73	105
2.5	16.50	16.62	25.50	16	14	130	178
3	18.50	18.62	28.50	20	20	151	201
4	21.50	21.62	32.75	24	22	172	235
6	27.75	28.00	40.15	28	25	467	540
8	32.75	33.12	46.53	34	25	1225	1,325
10	39.00	39.38	53.00	48	3	1635	1,750

NOTE: All dimensions in (inches). Weight is in (Kg).

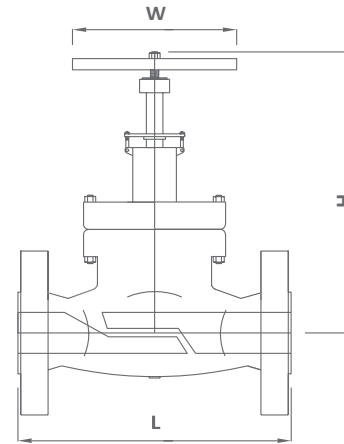


TABLE 19.9

Cast Globe Valves ANSI 2500lb					
Size	End to End		H	W	Weight
	RF-L	RTJ-L			
2	17.75	17.87	28.35	16	176
2.5	20.00	20.25	31.50	20	264
3	2.75	23.00	34.84	22	308
4	26.50	26.88	49.61	25	759
6	36.00	36.50	75.00	25	1990
8	40.25	40.87	97.05	25	4390





T: +44 (0)167 020 2777 / E: sales@ivp-solutions.com / W: www.ivp-solutions.com

IVP Solutions, 2 GAS Workspace, Baker Road, Nelson Park West,
Cramlington, NE23 1WL