

Offshore Drilling & Pipeline Equipment

www.ivp-solutions.com



API 6A Gate Valves

+44 (0)167 020 2777

www.ivp-solutions.com

9

Gate Valves are designed and manufactured in accordance with the following specifications:

API 6A	Specification for Wellhead and Christmas Tree Equipment.
API 14D	Specification for Wellhead Surface Safety Valves and Underwater Safety Valves for Offshore Service.
ANSI B31.3	Chemical Plant and Petroleum Refinery Piping.
ASME VIII	Boiler and Pressure Vessel Code.
MSS-SP-55	Quality Standard for Steel Castings for Valve, Flanges and Fittings and Other Piping Components.
NACE MR-01-75	Sulphide Stress Cracking Resistant Metallic Materials for Oilfield Equipment.

Hubs are available as Weld Neck, Integral & Blinds and are available in the following materials and pressure ratings:

TABLE 9.0A

Pressure & Temperature Ratings					
Max Working Pressure	3,000 PSI	5,000 PSI	10,000 PSI	15,000 PSI	20,000 PSI
Test Pressure	4,500PSI	7,500PSI	15,000 PSI	22,500 PSI	30,000 PSI
Product Specification Levels	1,2,3 & 4	1,2,3 & 4	1,2,3 & 4	1,2,3 & 4	1,2,3 & 4
Product Rating	1 & 2	1 & 2	1 & 2	1 & 2	1 & 2
API Temperature Rating	K (-60°C) to Y (+345°C)	K (-60°C) to Y (+345°C)	K (-60°C) to Y (+345°C)	K (-60°C) to Y (+345°C)	K (-60°C) to Y (+345°C)

TABLE 9.0B

Material Requirements		
Material Class	Body, Bonnet, End and Outlet Connections	Pressure Controlling Parts E.G. Stems
AA - General Service	Carbon or Low Alloy Steel	Carbon or Low Alloy Steel
BB - General Service	Carbon or Low Alloy Steel	Stainless Steel
CC - General Service	Stainless Steel	Stainless Steel
DD - Sour Service**	Carbon or Low Alloy Steel*	Carbon or Low Alloy Steel*
EE - Sour Service**	Carbon or Low Alloy Steel*	Stainless Steel*
FF - Sour Service**	Stainless Steel*	Stainless Steel*
HH - Sour Service**	Corrosion Resistant Alloys*	Corrosion Resistant Alloys*

**As defined in NACE MR-01-75 *In accordance with NACE MR-01-75

Please contact IVP Solutions for any special material or dimensional requirements.

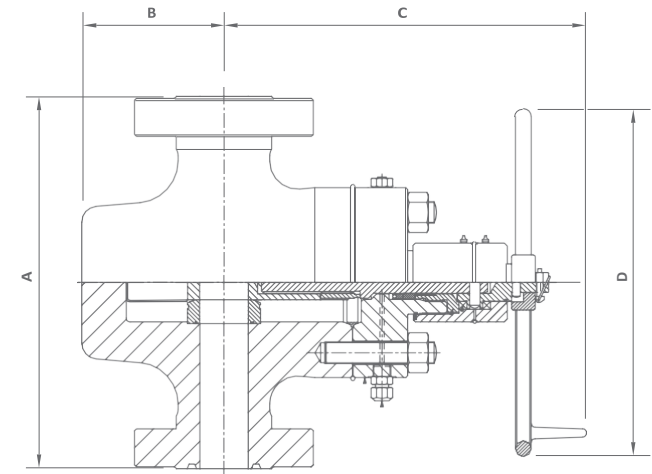
Max. working pressures stated are suitable for temperatures up to 121°C.

De-rating of max. working pressure will occur as the operating temperature increases above 121°C. Consult IVP Solutions for further details.



TABLE 9.1

Flanged Hydraulic Choke & Kill Gate Valve								
Nominal Size	Pressure Rating psi	API Ring Gasket	A	B	C	D	Turns to Open	Total Weight (kg)
			Face to Face	Centreline to Base	Centreline to Hand Wash	Hand Wheel Diameter		
1 1/16	10k	BX 151	18.25	5.38	14.25	16.00	12	115
	15k	BX 151	18.00	5.38	14.25	16.00	12	127
2 1/16	3k	R24	14.62	5.88	14.44	12.00	13.5	91
	5k	R24	14.62	5.88	14.44	12.00	13.5	91
	10k	BX 152	20.50	5.75	14.44	16.00	13.5	117
	15k	BX 152	19.00	6.12	14.44	16.00	13.5	135
29/16	3k	R27	16.62	6.50	15.38	16.00	15.5	126
	5k	R27	16.62	6.50	15.38	16.00	15.5	126
	10k	BX 153	22.25	6.88	15.38	16.00	15.5	150
	15k	BX 153	25.00	7.12	17.88	20.00	16	206
31/8	3k	R31	17.12	7.12	16.25	16.00	18	123
	5k	R35	18.62	7.88	16.25	16.00	18	165
31/16	10k	BX 154	24.38	8.06	16.25	20.00	18	229
	15k	BX 154	23.56	9.00	19.00	20.00	19	380
41/16	3k	R37	21.62	10.12	17.88	16.00	24	255
	5k	R39	21.62	10.12	17.88	20.00	24	261
	10k	BX 155	26.38	9.88	20.50	24.00	24	416
	15k	BX 155	29.00	10.50	23.00	24.00	20	619
51/8	3k	R41	24.12	12.00	23.12	20.00	23.5	520
	5k	R44	28.62	13.00	24.12	24.00	23.5	685
	10k	BX 169	29.00	13.00	24.12	24.00	23.5	669
71/16	3k	R45	24.12	12.88	26.00	24.00	29	463
	5k	R46	29.00	13.00	26.00	24.00	29	550
	10k	BX 156	35.00	15.00	31.69	24.00	29.5	1140



NOTE: All dimensions in (inches).



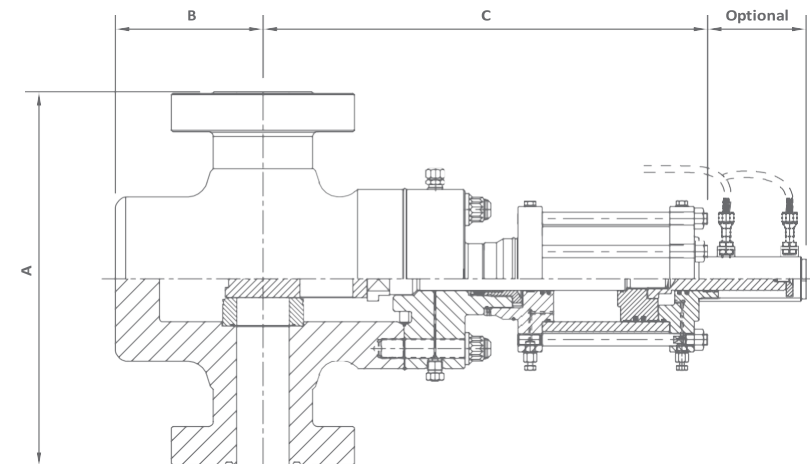
T: +44 (0)167 020 2777 / E: sales@ivp-solutions.com / W: www.ivp-solutions.com

This data represents the standard material stocked and supplied in the IVP-Solutions product range. Other material specifications available upon request.

TABLE 9.2

Flanged Hydraulic Choke & Kill Gate Valve						
Nominal Size	Pressure Rating psi	API Ring Gasket	A	B	C	Total Weight (kg)
			Face to Face	Centreline to Base	Centreline to Hand Wash	
1 1/16	10k	BX 151	18.25	5.38	20.31	129
	15k	BX 151	18.00	5.38	20.31	141
2 1/16	3k	R24	14.62	5.88	20.50	110
	5k	R24	14.62	5.88	20.50	110
	10k	BX 152	20.50	5.75	20.50	134
29/16	15k	BX152	19.00	6.12	20.50	152
	3k	R 27	16.62	6.50	22.06	144
	5k	R 27	16.62	6.50	22.06	144
	10k	BX 153	22.25	6.88	22.06	168
31/8	15k	BX 153	25.00	7.12	26.88	260
	3k	R31	17.12	7.12	23.44	141
31/16	5k	R35	18.62	7.88	23.44	183
	10k	BX 154	24.38	8.06	23.44	245
41/16	15k	BX 154	23.56	9.00	28.19	436
	3k	R37	20.12	10.12	25.97	274
	5K	R39	21.62	10.12	25.97	280
	10K	BX 155	26.38	9.88	29.78	475
51/8	15k	BX 155	29.00	10.50	33.56	736
	3k	R41	24.12	12.00	33.69	642
	5k	R44	28.62	13.00	34.69	807
71/16	10k	BX 169	29.00	13.00	34.69	791
	3k	R45	24.12	12.88	47.00	705
	5k	R46	29.00	13.00	47.00	792
	10k	BX 156	35.00	15.00	47.00	1382

NOTE: All dimensions in (inches).



T: +44 (0)167 020 2777 / E: sales@ivp-solutions.com / W: www.ivp-solutions.com

This data represents the standard material stocked and supplied in the IVP-Solutions product range. Other material specifications available upon request.



T: +44 (0)167 020 2777 / E: sales@ivp-solutions.com / W: www.ivp-solutions.com

IVP Solutions, 2 GAS Workspace, Baker Road, Nelson Park West,
Cramlington, NE23 1WL