

# Offshore Drilling & Pipeline Equipment

[www.ivp-solutions.com](http://www.ivp-solutions.com)



## API 5000lb Mud Gate Valves

**+44 (0)167 020 2777**

[www.ivp-solutions.com](http://www.ivp-solutions.com)



Mud Gate Valves are designed and manufactured in accordance with the following specifications:

<b>API 6A</b>	Specification for Wellhead and Christmas Tree Equipment.
<b>ANSI B31.3</b>	Chemical Plant and Petroleum Refinery Piping.
<b>ASME VIII</b>	Boiler and Pressure Vessel Code.
<b>MSS-SP-55</b>	Quality Standard for Steel Castings for Valve, Flanges and Fittings and Other Piping Components.
<b>NACE MR-01-75</b>	Sulphide Stress Cracking Resistant Metallic Materials for Oilfield Equipment.

Mud Gate Valves are available for use in the following pressure ratings and services:

TABLE 10.0A

Pressure & Temperature Ratings			
Working Pressure	2,000 PSI	3,000 PSI	5,000 PSI
Test Pressure	3,000PSI	4,500PSI	7,500 PSI
API Temperature Rating	P (-29°C) to U (+121°C)	P (-29°C) to U (+121°C)	P (-29°C) to U (+121°C)

TABLE 10.0B

Material Requirements		
Material Class	Body, Bonnet, End and Outlet Connections	Pressure Controlling Parts E.G. Stems
AA - General Service	Carbon or Low Alloy Steel	Carbon or Low Alloy Steel
BB - General Service	Carbon or Low Alloy Steel	Stainless Steel
DD - Sour Service**	Carbon or Low Alloy Steel*	Carbon or Low Alloy Steel*
EE - Sour Service**	Carbon or Low Alloy Steel*	Stainless Steel*

\*\*As defined in NACE MR-01-75 \*In accordance with NACE MR-01-75

Please contact IVP Solutions for any special material or dimensional requirements.



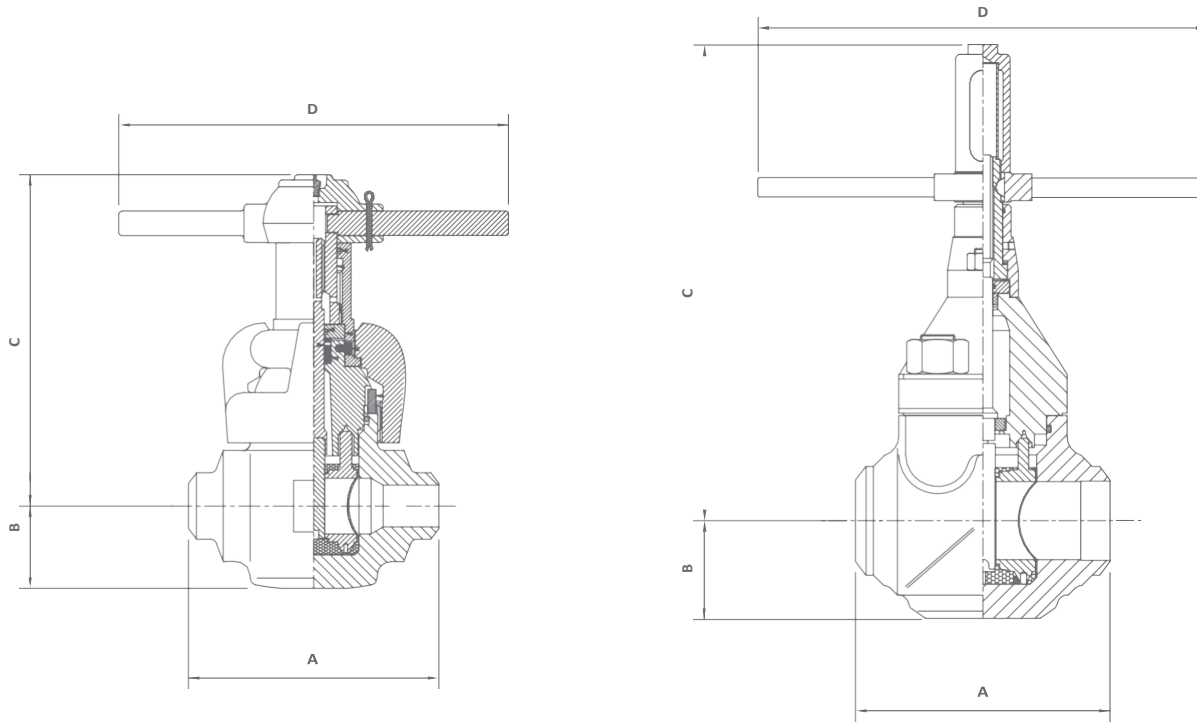


TABLE 10.1

Butt Weld End 5000 PSI Mud Gate Valves							
Nominal Size	Pressure Rating psi	Butt Weld	A	B	C	D	Total Weight (kg)
		End Connection Size	Face to Face	Centreline to Base	Centreline to Hand Wheel	Hand Wheel Diameter	
2"	5k	2"XXS	9.00	2.88	13.00	14	28
3"	5k	3"XXS	11.00	4.00	18.00	18	64
4"	5k	4"XXS	13.00	5.12	24.63	23	95
4"	5k	5"XXS	13.00	5.12	24.63	23	100

NOTE: All dimensions in (inches).



T: +44 (0)167 020 2777 / E: sales@ivp-solutions.com / W: www.ivp-solutions.com

This data represents the standard material stocked and supplied in the IVP-Solutions product range. Other material specifications available upon request.

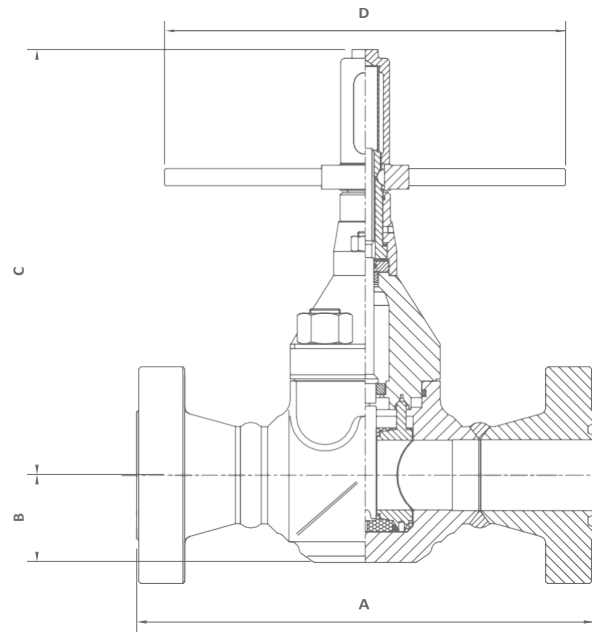
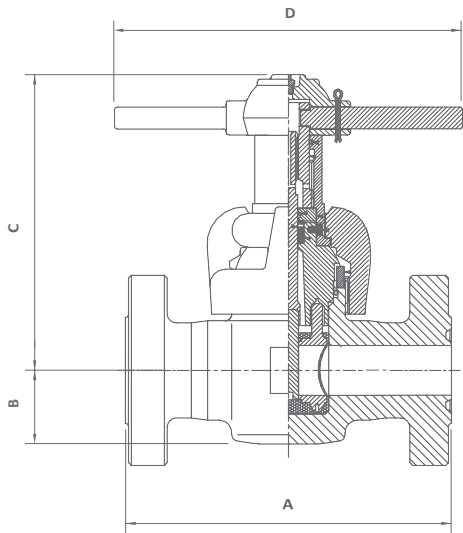


TABLE 10.2

Flanged 5,000 PSI Mud Gate Valves							
Nominal Size	Pressure Rating psi	Flanged	A	B	C	D	Total Weight (kg)
		End Connection Size (API 16A)	Face to Face	Centreline to Base	Centreline to Hand Wheel	Hand Wheel Diameter	
2"	5k	2.1/16" 5k	12.12	2.88	13.00	14	50
3"	5k	2.9/16" 5k	20.00	4.00	18.00	18	98
4"	5k	4.1/16" 5k	18.00	5.12	24.63	23	150
4"	5k	4.1/16" 5k	23.50	5.12	24.63	23	157

NOTE: All dimensions in (inches).



T: +44 (0)167 020 2777 / E: sales@ivp-solutions.com / W: www.ivp-solutions.com

This data represents the standard material stocked and supplied in the IVP-Solutions product range. Other material specifications available upon request.

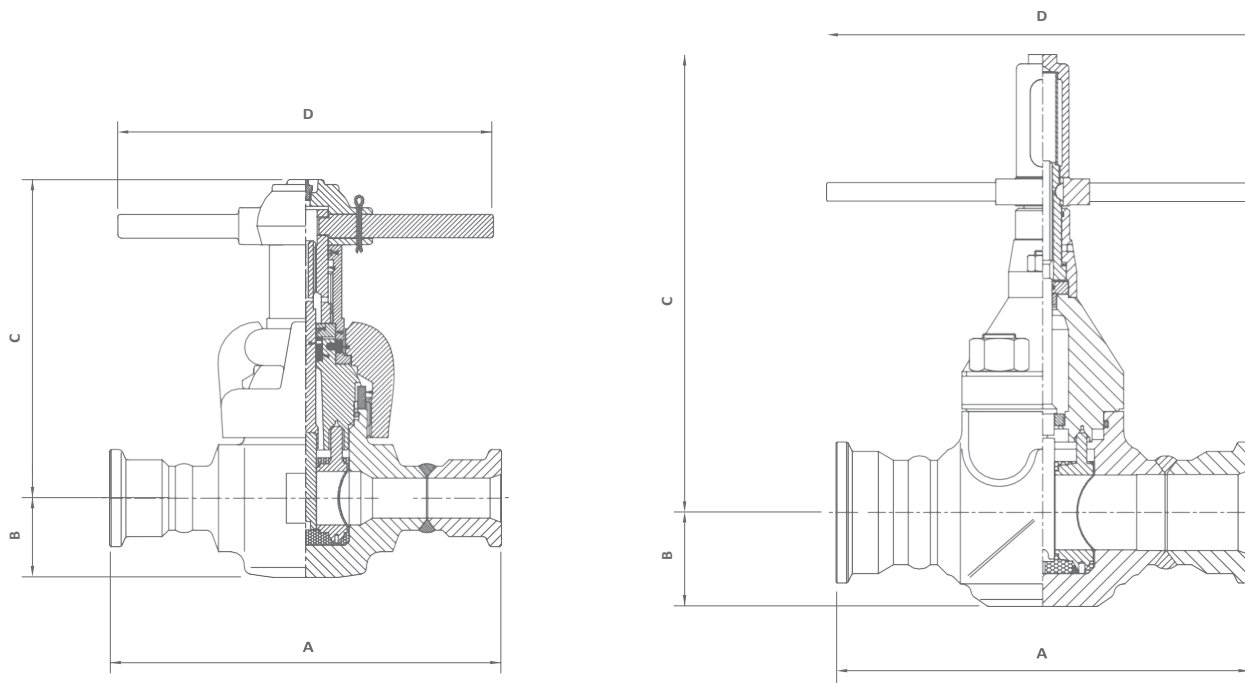


TABLE 10.3

Hub End 5000 PSI Mud Gate Valves							
Nominal Size	Pressure Rating psi	Hubbed	A	B	C	D	Total Weight (kg)
		Hub Size	Face to Face	Centreline to Base	Centreline to Hand Wheel	Hand Wheel Diameter	
2"	5k	2in14	14.62	2.88	13.00	14	33
3"	5k	3in23	17.62	4.00	18.00	18	75
4"	5k	4in31	20.38	5.12	24.63	23	110
4"	5k	5in40	21.88	5.12	24.63	23	125

NOTE: All dimensions in (inches).



T: +44 (0)167 020 2777 / E: sales@ivp-solutions.com / W: www.ivp-solutions.com

This data represents the standard material stocked and supplied in the IVP-Solutions product range. Other material specifications available upon request.



T: +44 (0)167 020 2777 / E: [sales@ivp-solutions.com](mailto:sales@ivp-solutions.com) / W: [www.ivp-solutions.com](http://www.ivp-solutions.com)

IVP Solutions, 2 GAS Workspace, Baker Road, Nelson Park West,  
Cramlington, NE23 1WL