

# Offshore Drilling & Pipeline Equipment

[www.ivp-solutions.com](http://www.ivp-solutions.com)



## Plug Valves

+44 (0)167 020 2777

[www.ivp-solutions.com](http://www.ivp-solutions.com)

# 21

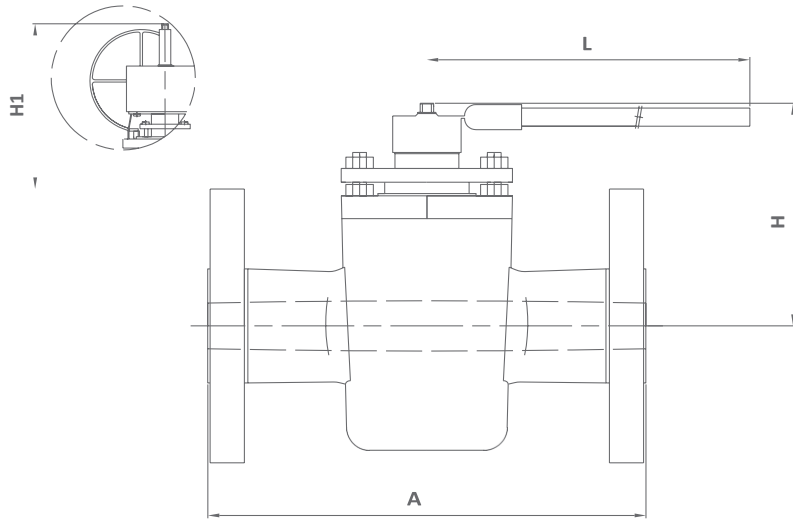


TABLE 21.1

Plug Valve ANSI 150lb				
Size	A	H1	L	Weight
½"	108	110	-	9
¾"	117	115	-	10
1"	127	115	-	11
1¼"	140	135	-	16
1½"	165	140	-	21
2"	178	150	-	24
2½"	190	165	-	28
3"	203	180	-	32
4"	229	195	-	53
5"	254	-	435	80
6"	267	-	490	95
8"	290	-	520	115
10"	330	-	535	165
12"	356	-	560	230

NOTE: All dimensions in (mm). Weight is in (Kg).

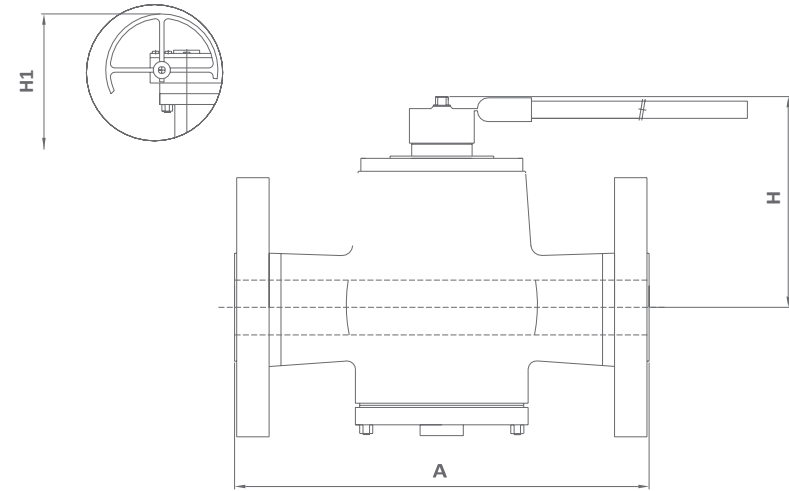


TABLE 21.2

Plug Valve ANSI 300lb				
Size	A	H1	L	Weight
½"	130	120	-	10
¾"	150	121	-	11
1"	159	123	-	12
1½"	191	144	-	18
2"	216	171	-	23
2½"	241	196	-	29
3"	283	224	-	32
4"	305	262	-	69
6"	403	-	420	180
8"	502	-	495	235
10"	568	-	590	300
12"	711	-	705	455
14"	762	-	750	690
16"	838	-	825	800
18"	914	-	910	990



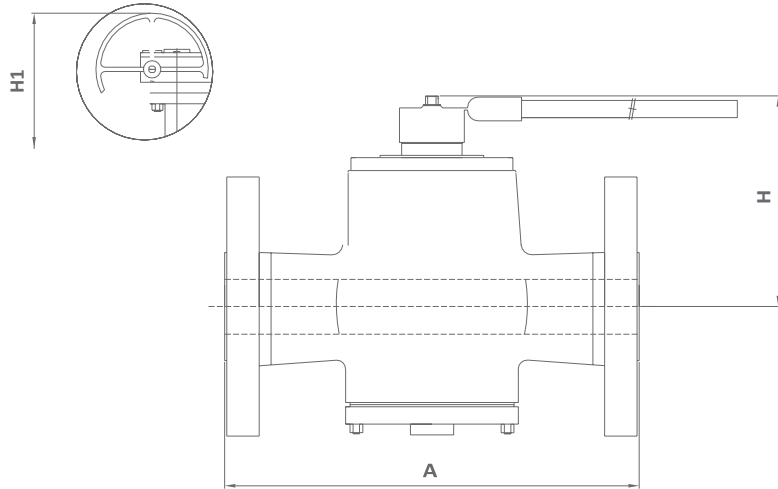


TABLE 21.3

Plug Valve ANSI 600lb				
Size	A	H1	L	Weight
½"	165	120	-	11
¾"	191	121	-	12
1"	216	124	-	13
1½"	241	145	-	21
2"	292	172	-	26
2½"	330	198	-	31
3"	356	225	-	47
4"	432	265	-	96
6"	559	-	450	210
8"	660	-	545	420
10"	787	-	645	740
12"	838	-	705	1,150
14"	889	-	790	1,300
16"	991	-	850	1,550
18"	1092	-	950	1,800

NOTE: All dimensions in (mm). Weight is in (Kg).

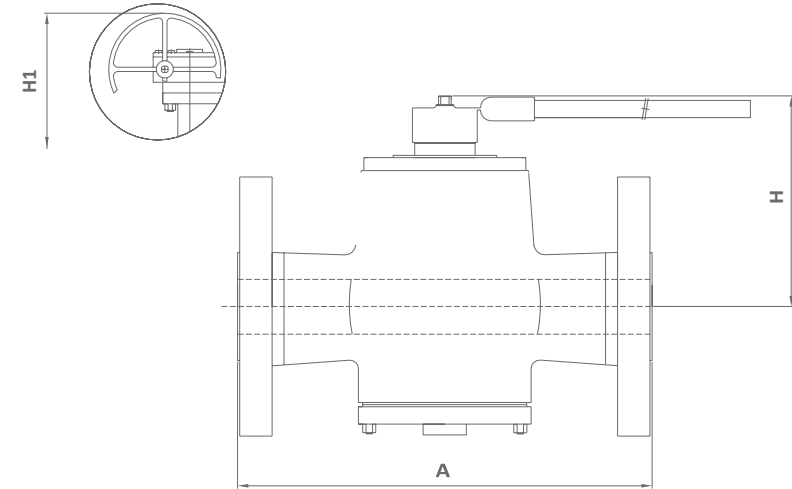


TABLE 21.4

Plug Valve ANSI 900lb				
Size	A	H1	L	Weight
2"	368	177	-	30
2½"	419	229	-	40
3"	381	245	-	60
4"	457	275	-	120
6"	610	-	302	250
8"	737	-	350	480
10"	838	-	435	800
12"	965	-	504	1,225
14"	1029	-	510	1,510
16"	1130	-	584	1,725
18"	1219	-	597	2,020





T: +44 (0)167 020 2777 / E: [sales@ivp-solutions.com](mailto:sales@ivp-solutions.com) / W: [www.ivp-solutions.com](http://www.ivp-solutions.com)

IVP Solutions, 2 GAS Workspace, Baker Road, Nelson Park West,  
Cramlington, NE23 1WL