

Offshore Drilling & Pipeline Equipment

www.ivp-solutions.com



Butterfly Valves

+44 (0)167 020 2777

www.ivp-solutions.com

20

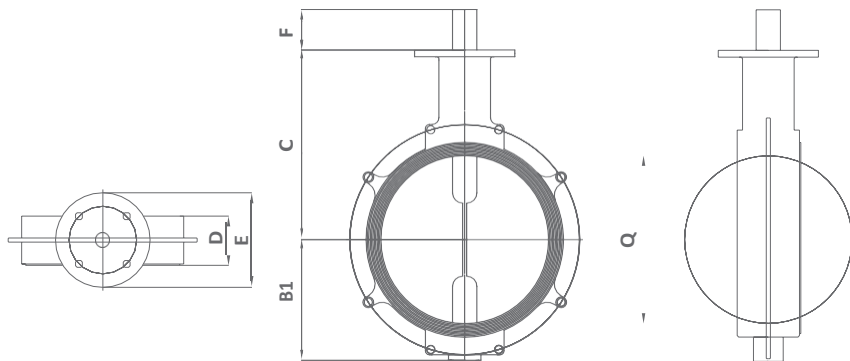


TABLE 20.1

Butterfly Valves Lug Type ANSI 150lb							
Size	B1	C	D	E	F	øD	Weight
2	103	152	60.3	102	32	52	7
2.5	103	152	47.6	102	32	62	7
3	103	159	47.6	102	32	74	9
4	127	178	54	102	32	98	12
5	141	192	57.2	102	32	124	14
6	163	203	57.2	152	32	147	19
8	192	238	63.5	152	51	198	29
10	225	270	71.4	152	51	247	49
12	256	311	81	203	76	293	73
14	294	337	92.1	203	76	322	99
16	319	368	101.6	203	76	368	114
18	341	406	114.3	203	108	415	162
20	383	443	127	203	108	459	227
22	443	500	170	203	108	531	305
24	443	500	154	203	108	552	340
26	521	622	210	241	178	621	460
28	521	622	220	241	178	634	570
30	521	622	187	241	178	695	617
36	616	721	216	241	203	860	1021

NOTE: All dimensions in (mm). Weight is in (Kg).

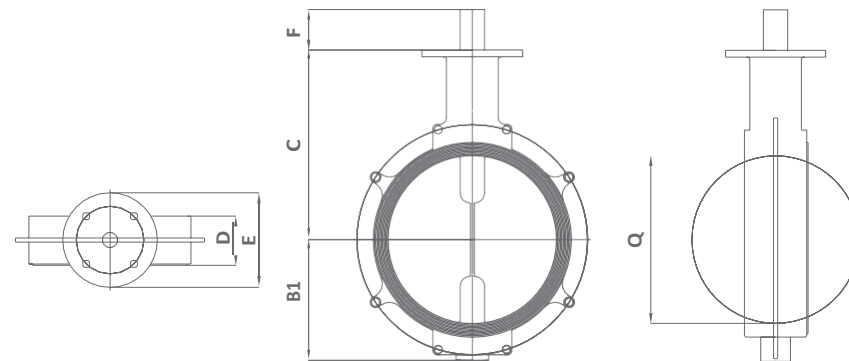


TABLE 20.2

Butterfly Valves Lug Type ANSI 300lb							
Size	B1	C	D	E	F	øD	Weight
2	103	152	60.3	102	32	52	8
2.5	103	152	47.6	102	32	62	8.5
3	118	168	47.6	102	32	74	9
4	140	191	54	102	32	98	12
5	141	192	58.7	102	32	124	14
6	170	222	65.8	152	32	147	25
8	205	257	73	152	51	198	36
10	238	289	82.6	152	76	247	62
12	268	330	92.1	203	76	293	84
14	311	365	117.5	203	108	322	154
16	340	408	133.4	203	108	368	196
18	375	432	149.2	203	108	415	250
20	414	513	158.8	221	165	459	386
22	492	594	181	241	173	554	580
24	443	500	154	203	108	552	340



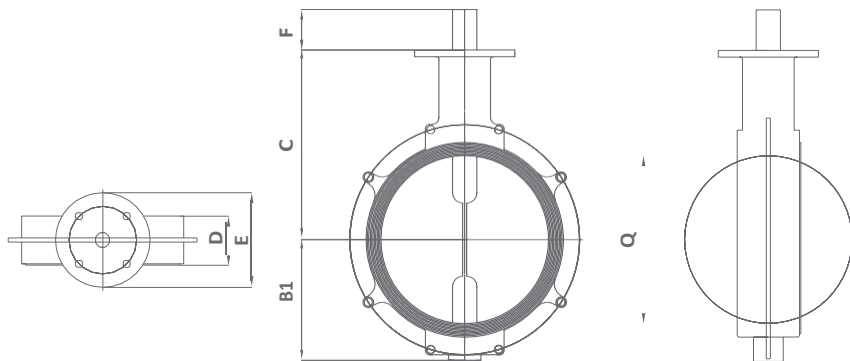


TABLE 20.3

Butterfly Valves Wafer Type ANSI 150lb							
Size	B1	C	D	E	F	øD	Weight
2	103	152	60.3	102	32	52	4
2.5	103	152	47.6	102	32	62	4.5
3	103	159	47.6	102	32	74	5.4
4	127	178	54	102	32	98	8.2
5	141	192	57.2	102	32	124	10.2
6	163	203	57.2	152	32	147	14
8	192	238	63.5	152	51	198	23
10	225	270	71.4	152	51	247	35
12	256	311	81	203	76	293	56
14	274	337	92.1	203	76	322	64
16	319	368	101.6	203	76	368	85
18	341	406	114.3	203	108	415	126
20	383	443	127	203	108	459	158
22	443	500	170	203	108	531	236
24	443	500	154	203	108	552	281
26	521	622	210	241	178	621	360
28	521	622	220	241	178	634	405
30	521	622	187	241	178	695	463
36	616	721	216	241	203	860	839

NOTE: All dimensions in (mm). Weight is in (Kg).

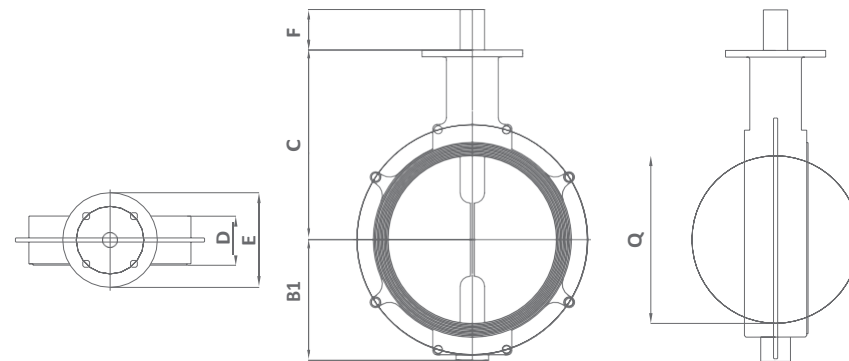


TABLE 20.4

Butterfly Valves Wafer Type ANSI 300lb							
Size	B1	C	D	E	F	øD	Weight
2	103	152	60.3	102	32	52	4
2.5	103	152	47.6	102	32	62	4.5
3	118	168	47.6	102	32	74	6
4	140	191	54	102	32	98	9
5	141	192	58.7	102	32	124	11.5
6	170	222	58.7	152	32	147	15
8	205	257	73	152	51	198	30
10	238	289	82.6	152	76	247	43
12	268	330	92.1	203	76	293	66
14	311	365	117.5	203	108	322	123
16	340	408	133.4	203	108	368	139
18	375	432	149.2	203	108	415	175
20	414	513	158.8	191	165	459	204
24	492	594	181	241	173	554	580
24	443	500	154	203	108	552	340





T: +44 (0)167 020 2777 / E: sales@ivp-solutions.com / W: www.ivp-solutions.com

IVP Solutions, 2 GAS Workspace, Baker Road, Nelson Park West,
Cramlington, NE23 1WL